

PRODUCT AND CONTACT INFORMATION:



Tel: 800.506.9901 • Fax: 435.787.2301
2410 Heritage Dr. • Logan • UT 84321
sales@stander.com
www.stander.com

English- For assembly instructions and product information, visit the following website:
www.stander.com/product-manuals

Español- Para obtener instrucciones de montaje e información del producto, visite el siguiente sitio web:
www.stander.com/product-manuals

Deutsch- Montageanleitungen und Produktinformationen finden Sie auf der folgenden Website:
www.stander.com/product-manuals

Français- Pour obtenir des instructions d'assemblage et des informations sur le produit, visitez le site Web suivant: www.stander.com/product-manuals

Italiano- Per le istruzioni di montaggio e le informazioni sul prodotto, visitare il seguente sito Web:
www.stander.com/product-manuals



LIMITED WARRANTY

Stander, Inc. ("Stander") warrants to the original purchaser that the Product will be free from material defects in material or workmanship for 2 years from the date of purchase. This limited warranty applies only when the Product is used within the Product's specifications and is non-transferable and shall solely be applicable to the original purchaser.

In the event of a warranty claim, the original purchaser must notify Stander, during the warranty period, in writing of the alleged defect in workmanship or material and must ship the Product, along with the proof of purchase, to Stander.

All shipping costs must be paid by the original purchaser. Stander will not refund or pay for any shipping charges.

If Stander determines, upon its sole determination, that there is a material defect in material or workmanship of the Product, Stander will replace the Product and ship a replacement product to the original purchaser.

The Limited Warranty does NOT apply to any Product:

- (1) Damaged during shipment.
- (2) Damaged due to unauthorized attachments, alterations, or modifications.
- (3) Damaged due to the failure to install the product in accordance with the instructions provided by Stander.
- (3) Damaged by the use of the Product for purposes other than those for which the Product was designed or intended; or
- (4) Damaged due to abuse, misuse, mishandling, neglect, misapplication, accident or abnormal use or storage.

STANDER MAKES NO WARRANTIES OTHER THAN THOSE EXPRESSLY SET FORTH HEREIN. ALL OTHER WARRANTIES, EXPRESS OR IMPLIED INCLUDING ALL (I) IMPLIED WARRANTIES OF MERCHANTABILITY OR FITNESS FOR A PARTICULAR PURPOSE, OR (II) IMPLIED WARRANTIES ARISING FROM ANY COURSE OF DEALING, USAGE OF TRADE, ADVERTISING OR PERFORMANCE OF PRODUCTS TO STANDARDS SPECIFIC TO THE COUNTRY OF IMPORT, ARE HEREBY EXPRESSLY DISCLAIMED.

THIS LIMITED WARRANTY IS THE FULL AND COMPLETE STATEMENT OF STANDER'S LIMITED WARRANTY OF THE PRODUCT, CONSTITUTES THE ENTIRE AND COMPLETELY INTEGRATED LIMITED WARRANTY OF STANDER, SUPERSEDES ALL OTHER STATEMENTS, AND CANNOT BE VARIED BY ANY ORAL OR OTHER WRITTEN STATEMENT.

THE EXCLUSIVE REMEDY FOR BREACH OF THIS LIMITED WARRANTY IS TO RETURN THE PRODUCT FOR THE REPLACEMENT OF THE NONCONFORMING PRODUCT.

UNDER NO CIRCUMSTANCES SHALL STANDER, INC. BE LIABLE FOR ANY SPECIAL, INCIDENTAL, EXEMPLARY, PUNITIVE, CONSEQUENTIAL DAMAGES, OR OTHER DAMAGES, BASED UPON BREACH OF THIS LIMITED WARRANTY, BREACH OF CONTRACT, OR STRICT LIABILITY.

Some states do not allow limitations on how long an implied warranty lasts. This warranty gives you specific legal right, and you may also have other rights which vary from state to state. To obtain service under this Limited Warranty, you can reach Stander at (800) 506-9901 or (435) 755-0453.



EMERGO EUROPE
Prinsessegracht 20
2514 AP The Hague
The Netherlands



WARNINGS

There is a risk of entrapment associated with all bed rails and other similar bedside mobility aids. Entrapment occurs when an individual becomes wedged between a Bed Rail/Handle and any other object such as the mattress. Entrapment can result in serious injury and death. Read the enclosed ENTRAPMENT PREVENTION GUIDELINES before installation or use of this product. For further information, see: <https://www.cpsc.gov/safety-education/safety-guides/furniture-furnishings-and-decorations/adult-bed-rails> and www.fda.gov/bedsafety

BEFORE INSTALLING THIS PRODUCT, YOU MUST ENSURE THAT IT IS SAFE TO USE ON YOUR BED AND MATTRESS. This product can only be used on beds and mattresses that comply with the specifications set forth in the enclosed MATTRESS CONDITIONS & SAFETY COMPONENTS and ASSEMBLY INSTRUCTIONS.

This product cannot be used on any bed which consists of a material that may increase the potential for a gap between the top of the mattress and the bottom rail of the product. Examples of beds that will cause gapping problems include, but are not limited to waterbeds, light weight foam, air, soft pillow top mattresses or other very soft mattresses. Review all of the specifications and instructions prior to beginning installation. This product must be installed per enclosed ENTRAPMENT PREVENTION GUIDELINES. If you have any questions about whether the product is safe for use on your bed or how to install or use of the product, please call us at (800) 506-9901 or (435) 755-0453.

This product is intended to assist disabled persons to provide minimal to moderate weight support while standing from bed. This product is not intended to be used as a device to restrain individuals from getting into and out of bed.

ADDITIONAL WARNINGS

a) This product is equipped with components to securely attach the product to a bed frame (such as clamps, safety straps, or other means). Failure to properly install and use these components significantly increases the risk of entrapment, and may result in personal injury or death. NEVER remove these components or use the product without these components installed as per enclosed ASSEMBLY INSTRUCTIONS.

b) This product must be installed on the bed frame. Never use this product without a bedframe. Do not use on adjustable beds unless otherwise specified in ASSEMBLY INSTRUCTIONS.

c) Prior to use, ensure that there is no gap between the product and the side of the mattress. A gap in this area means the product was installed improperly. **Stop using immediately if product shifts out of its original position, a gap is noticed between the side of the mattress and the product, if product is damaged, broken, or if parts are missing.**

d) If this product is used in a nursing home, assisted living center, or a similar facility, follow these instructions and all of the institution's Bed Rail/Handle installation policies. If this product does not comply with those installation policies, do not install this product.

e) This product is for adult use only. It not intended to be used by individuals who have paralysis, symptoms of dementia, sleeping disorders, incontinence, pain, uncontrolled body movement, or are unable to get out of bed and walk safely without assistance. It should not be used by individuals who suffer from confusion, restlessness, terminal restlessness, or are under the influence of medications, drugs or any substance that could impair their balance or judgment, or any other unforeseeable reasons that could affect the users physical and mental ability to safely use this product. If you have questions, please consult a physician before using this product. This product is not intended to carry the full weight of an individual. This product is only intended to provide balance and support while sitting and standing.

f) When changing bed linens (bed covers, blankets, sheets, etc.) always confirm that product is installed correctly and re-tighten the clamp(s), safety straps, or other means used to eliminate a gap between the product and side of the mattress.

g) If product is removed and reinstalled, clamp(s), safety straps, or other means used to eliminate a gap between the product and side of the mattress must be reinstalled per enclosed ASSEMBLY INSTRUCTIONS.

In the rare possibility of a serious event with any Stander product, contact a customer service representative at (800) 506-9901 or (435) 755-0453 immediately. A serious event is defined as death or serious deterioration in health that results in a life-threatening illness or injury, permanent impairment, hospitalization, or surgical intervention. In addition to contacting the manufacturer directly, consumers should report problems to the CPSC at this website: <https://www.saferproducts.gov/> or call 1-800-638-2772, or to the FDA at 1-800-332-1088. Also report to the competent authority of your member state.

Additional copies of the Entrapment Prevention Guidelines may be obtained from www.stander.com or by contacting a Stander representative at (800) 506-9901 or (435) 755-0453.

WARNING ENTRAPMENT, STRANGULATION, SUFFOCATION AND FALL HAZARD

Gaps in and around this product can entrap and kill. People with Alzheimer's disease or dementia, or those who are sedated, confused, or frail, are at increased risk of entrapment and strangulation. People attempting to climb over this product are at increased risk of injury or death from falls. Always make sure this product is properly secured to bed. If product can move away from bed or mattress, it can lead to entrapment and death.

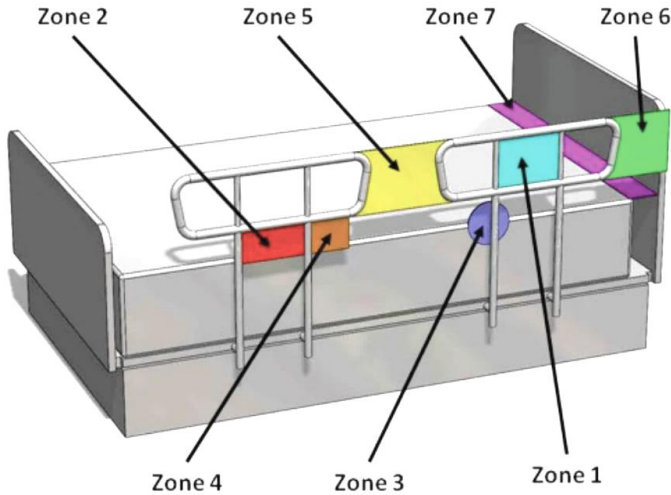
WARNING SUFFOCATION, STRANGULATION, ENTRAPMENT HAZARD

If product is installed incorrectly or moves from its initial position gaps can occur which can entrap and kill. People with Alzheimer's disease, dementia or other neurological conditions, or those who are sedated, confused, or frail, are at increased risk of entrapment, suffocation, and strangulation.

- NEVER use unless product is tight against mattress, without gaps, and at least 12 ½" (32cm) from headboard and footboard.
- NEVER use with children.
- NEVER use on toddler, bunk, water, or inflatable beds or on beds with mattress toppers or soft compressible pads.

ENTRAPMENT PREVENTION GUIDELINES

Stander is committed to inform users of ways to help prevent entrapment. Additional information is located at: <https://stander.com/entrapment-prevention>



ENTRAPMENT ZONES

Zone 1: Within the Rail - Any open space between the perimeters of the rail can present a risk of head entrapment. The FDA recommended space is less than 4.75in (12cm).

Zone 2: Under the Rail - The gap under the rail between the mattress, may allow for dangerous head entrapment. The FDA recommended space is less than 4.75in (12cm).

Zone 3: Between the Rail and the Mattress - This area is the space between the inside surface of the bed rail and the mattress, and if too big it can cause a risk of head entrapment. The FDA recommended space is less than 4.75in (12cm).

Zone 4: Under the Rail at the Ends of the Rail - A gap between the mattress and the lowermost portion of the rail poses a risk of neck entrapment. The FDA recommended space is less than 2.375in (6cm). Also, install the bed rail such that the angle at the end of the bed rail relative to the top of a mattress is greater than 60 degrees.

Zone 5: Between Split Bed Rails - When partial length head and split rails are used on the same side of the bed, the space between the rails may present a risk of head, neck, or chest entrapment.

Zone 6: Between the End of the Rail and the Side Edge of the Head or Foot Board - A gap of less than 12.5in (32cm) between the end of the bed rail and the side edge of the headboard or footboard can present the risk of entrapment of the head, neck, or chest.

Zone 7: Between the Head or Foot Board and the End of the Mattress - When there is too large of a space between the inside surface of the headboard or footboard and the end of the mattress, the risk of head entrapment increase

ASSEMBLY INSTRUCTIONS

Specifications:

Product Name: Bed Rail Safety Guard

Product #: 2400, 2450

Maximum User Weight: 400lbs (181kg)

Mattress Thickness Range: 6in (15.2cm) to 18in (45.7cm)

Compatibility: Not intended for use on adjustable beds.

Cleaning: Clean product with warm water and soap. Dry thoroughly before using.

Recycling: Product should be recycled in accordance with national guidelines.

Product Position: The Bed Rail Mattress Guard must be centered with the Bed Rail as shown in *FIGURE A*. If the Bed Rail is extendable, first extend the rail and then center. This product requires a fitted sheet to be installed on top of mattress and Mattress Guard after installation.

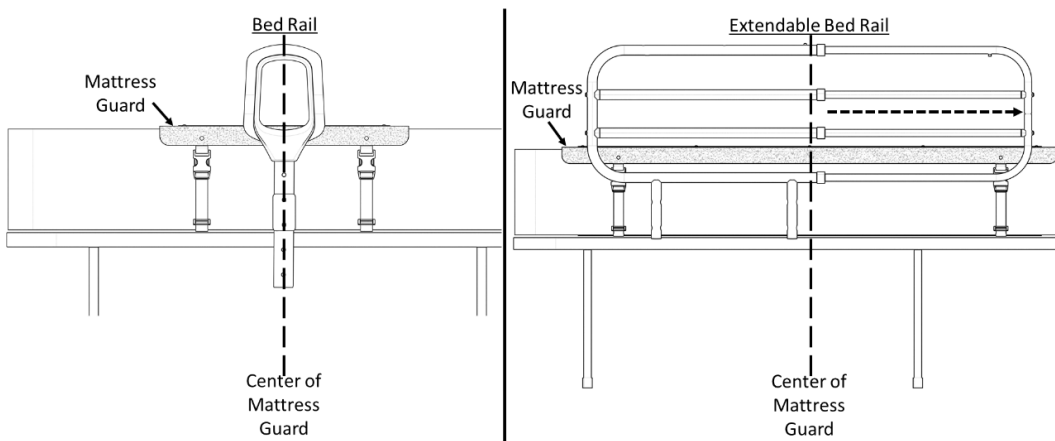


FIGURE A

1. Remove product from box and identify all parts as shown in *FIGURE 1*.

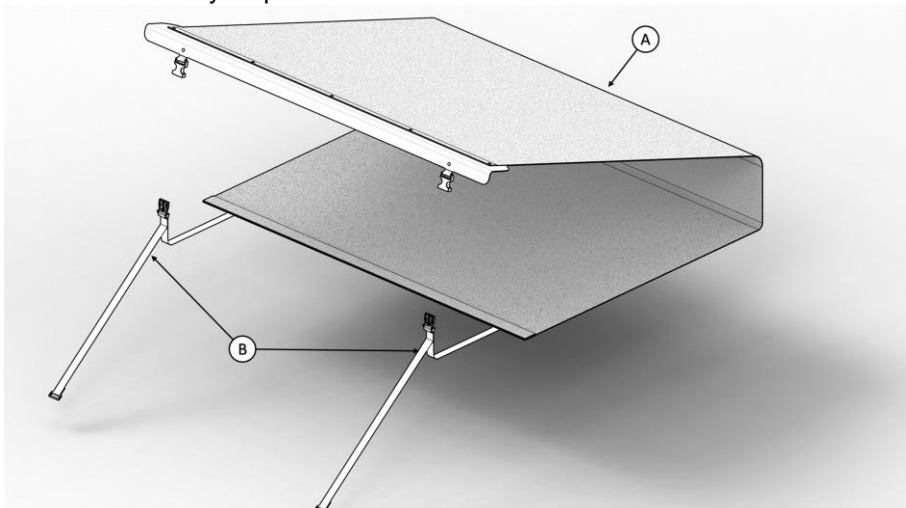


FIGURE 1

2. Determine which side of the bed you will install the product on as shown in *FIGURE 2*. Lift mattress and slide the product underneath.

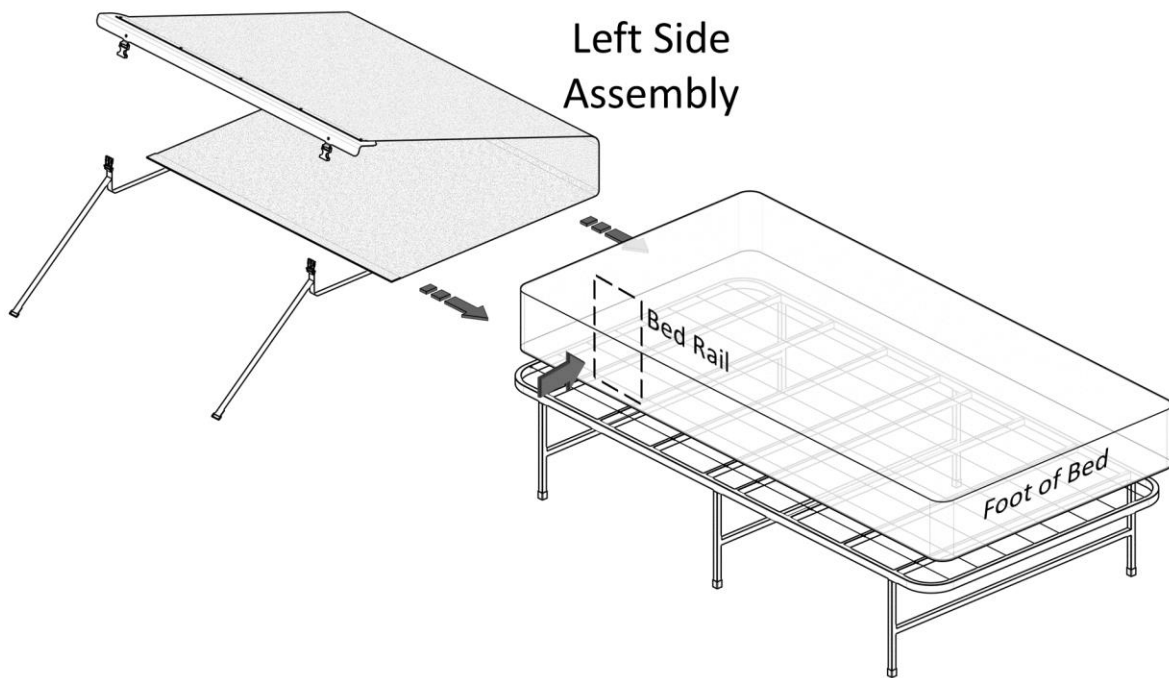


FIGURE 2

3. Place **A** around mattress and align with **B** as shown in *FIGURE 3*.

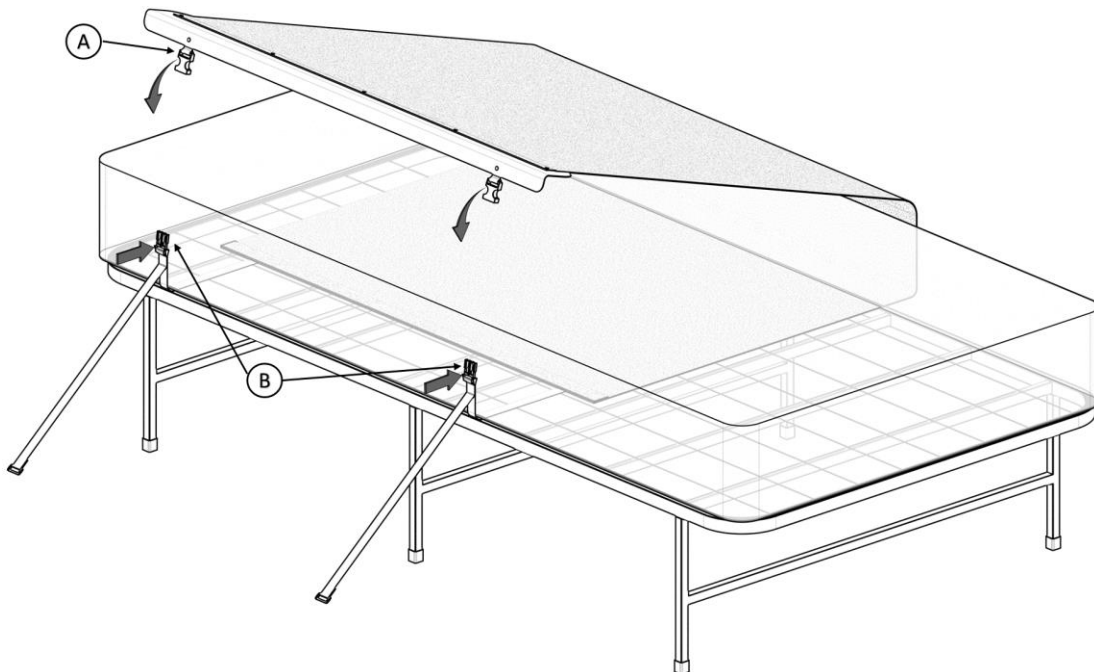


FIGURE 3

4. Secure buckles on **A** and **B** as shown in *FIGURE 4*. Pull **B** until the product is secured firmly around the mattress.

Note: This product requires a fitted sheet to be installed on top of mattress and Mattress Guard after installation.

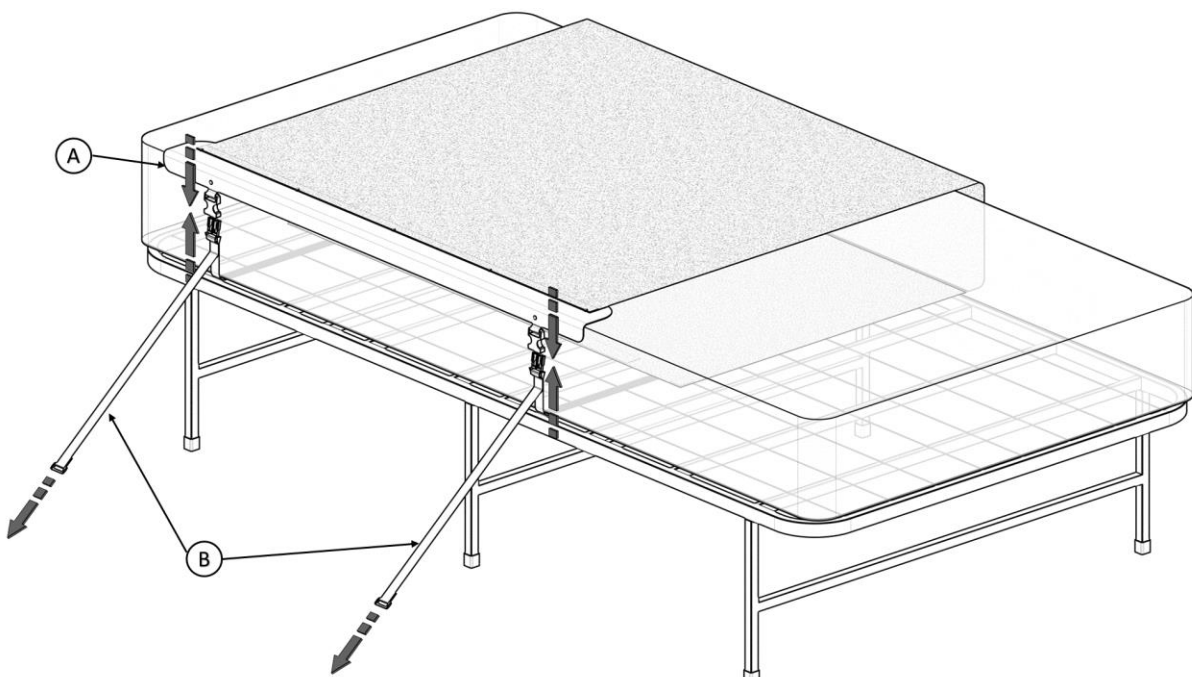


FIGURE 4

