

## OPENING AND CLOSING THE ROLLATOR:

**MAINTENANCE:** The rollator has lubricant applied on the plastic joints that slide along aluminum tubing. This lubricant will eventually dry out and make the rollator more difficult to open and close. When this occurs, apply a silicon spray between the plastic joints and the aluminum tube. This can be obtained from local hardware stores.

To open the rollator, undo buckle, pull handles apart, and push down on the seat as shown in Figure 1.

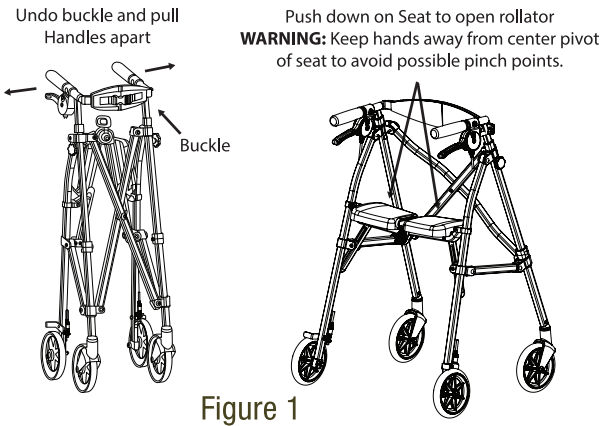


Figure 1

**WARNING:** Keep hands away from center pivot of the seat to avoid any potential pinch points. To close the rollator, pull up on the handle between the seat pads. Push handles together, and snap the buckle as shown in Figure 2.

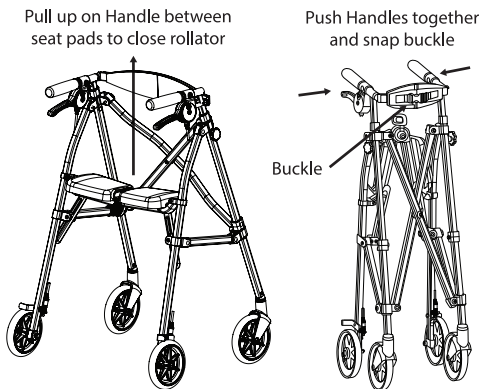


Figure 2

## HANDLE HEIGHT ADJUSTMENT

With the rollator in the open position, remove Knobs and Bolts. Position the Handle to the desired height, by aligning the holes in the handle tubes. Reinsert the bolt and tighten Knob as shown in Figure 3. Handle height adjusts 33"–36."

## BRAKE OPERATION:

Handle brakes have two functions as shown in Figure 3. Pull up on Brake Lever to provide braking action. Push down on Brake Lever to lock the brakes to prevent the rollator from moving while sitting. **WARNING:** Brakes must be in locked position before sitting.

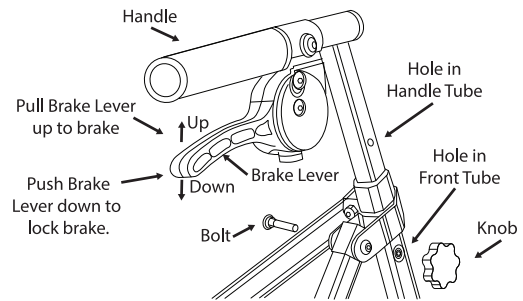


Figure 3

## ADJUSTING TENSION IN THE BRAKE CABLE:

When the Brake handle can no longer provide sufficient braking resistance, the cable tension will need to be adjusted. Hold cable nut with pliers and twist cable thumb screw in the counterclockwise direction to promote closer distance between the brake pad and the wheel.

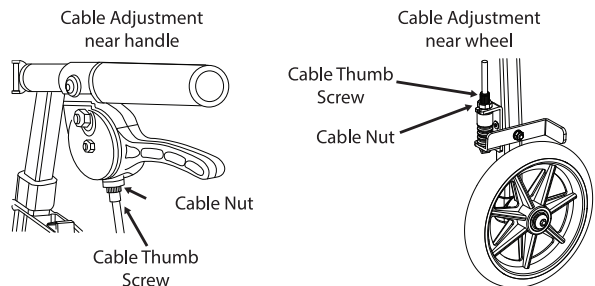


Figure 4